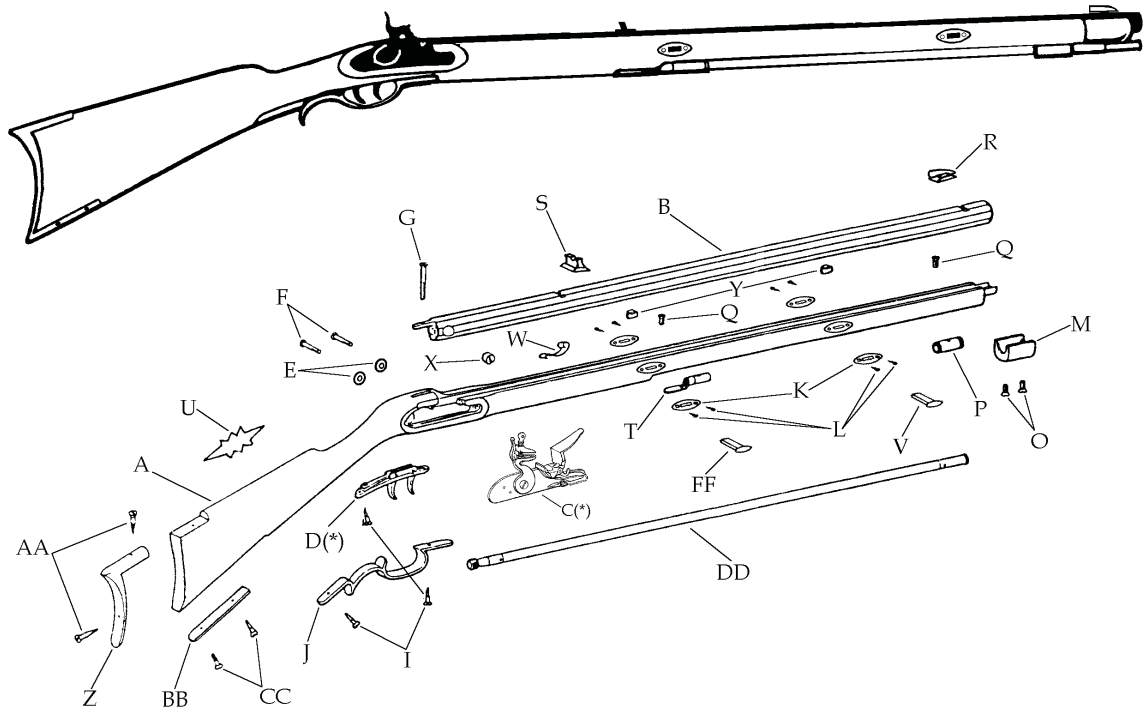


**- Tennessee Rifle -**  
**Models: R-2310**  
 .50 cal. flint. 1-66"  
 Blued Barrel

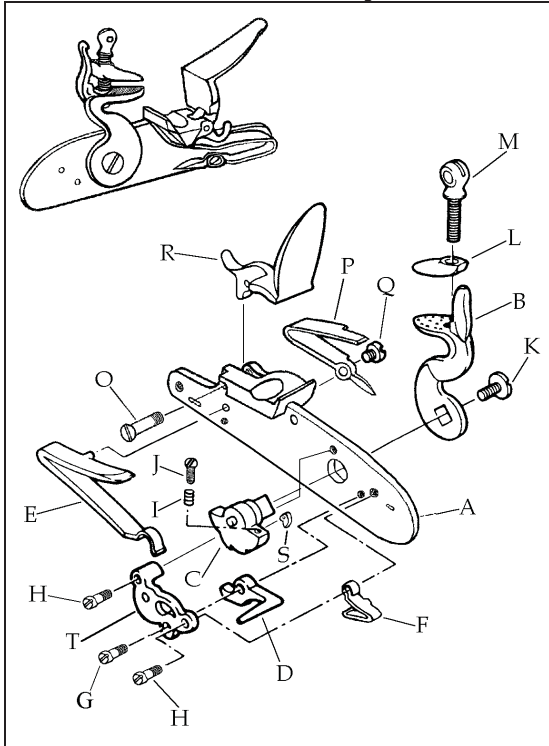


Description	Reference	Description	Reference
A Stock Beech Flintlock (Finished).....	FCS23101	P Ramrod Thimble.....	20613
B Barrel Assembly (Kit) (Length 24")		Q Ramrod Thimble Screw (2).....	20225
.50 cal. flint. (twist 1-66").....	C-231620	R Front Sight (Brass Blade).....	20611
Barrel Assembly Blued (Finished) (Length 24")		S Rear Sight.....	20210
.50 cal. flint. (twist 1-66").....	FB231620	T Rear Ramrod Thimble (Brass).....	21014
C Flintlock.....	23503	U "Hunter Star" Large (Brass).....	21037
D Trigger Assembly.....	20622R	V Front Wedge.....	22218-1
E Lock Plate Washer (2).....	20619	W Ramrod Retaining Spring.....	20621
F Lock Plate Screw (2).....	20220	X Touch Hole Insert.....	20534
G Tang Screw.....	20209	Y Barrel Tenon (2).....	20533
I Trigger Guard Screw (3).....	20624	Z Butt Plate (Brass).....	20826
J Trigger Guard (Brass).....	20623	AA Butt Plate Screw (2).....	20627
K Wedge Plate (Brass) (4).....	22216L	BB Toe Plate (Brass).....	30031
L Wedge Plate Screw (8).....	20617	CC Toe Plate Screw (2).....	20624
M Nose Cap (Brass).....	232015	DD Ramrod Assembly (Synthetic).....	23228M
O Nose Cap Screw (2).....	20214	FF Rear Wedge.....	22218-2

(\*) Exploded view at the reverse.

# TRADITIONS™

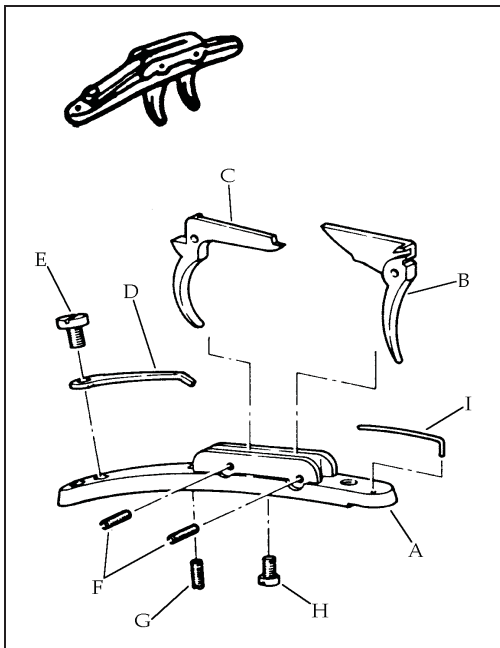
## Flintlock Assembly - Ref. 23503



Description	Reference
A Lock Plate.....	70623
B Hammer.....	70624
C Tumbler.....	70603
D Sear.....	70504
E Mainspring.....	70505
F Sear Spring.....	70506
G Sear Screw.....	70514
H Sear Spring & Bridle Screw (2).....	70515
I Sear Adjusting Screw Spring.....	70520
J Sear Adjusting Screw.....	70518
K Hammer Screw.....	75512P
L Top Jaw.....	70309
M Top Jaw Screw.....	70513L
O Frizzen Screw.....	70627
P Frizzen Spring.....	70625
Q Frizzen Spring Screw.....	70628
R Frizzen.....	70626
S Fly.....	70611
T Bridle.....	70508

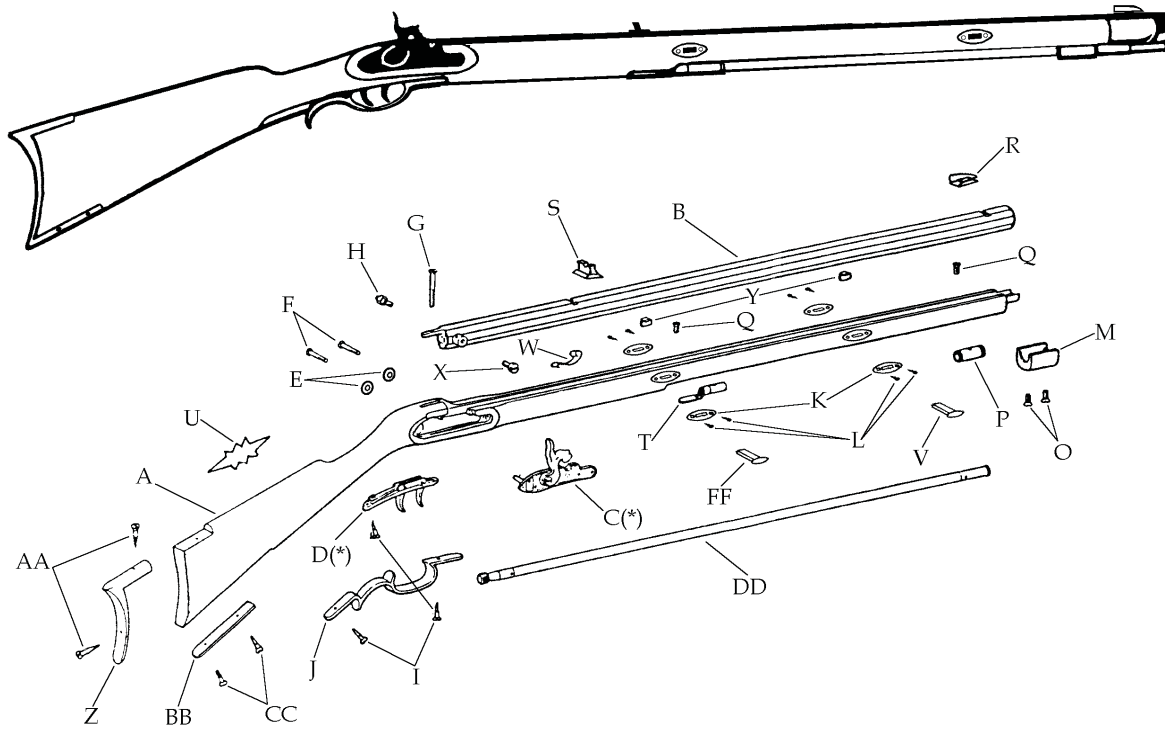
## Trigger Assembly

### - Ref. 20622R



Description	Reference
A Trigger Plate.....	60601R
B Front Trigger.....	60602
C Rear Trigger.....	60603
D Rear Spring.....	60604R
E Rear Spring Screw.....	60606
F Trigger Pin (2).....	60609
G Rear Trigger Adjustment Screw.....	60608
H Front Trigger Adjustment Screw.....	60607
I Front Spring.....	60605

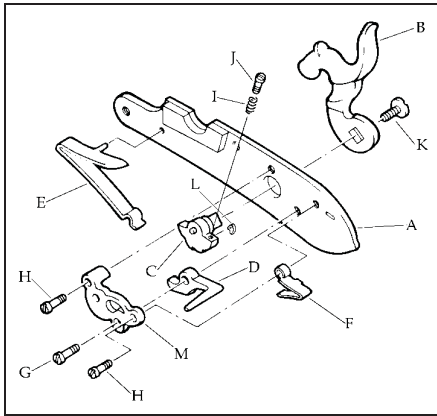
**- Tennessee Rifle -**  
**Models: R-2320**  
 .50 cal. perc. 1-66"  
 Blued Barrel



Description	Reference	Description	Reference
A Stock Beech Percussion (Finished).....	FCS23201	P Ramrod Thimble.....	20613
B Barrel Assembly (Kit) (Length 24")	C-232620	Q Ramrod Thimble Screw (2).....	20225
.50 cal. perc. (twist 1-66").....		R Front Sight (Brass Blade).....	20611
Barrel Assembly Blued (Finished) (Length 24")	FB232620	S Rear Sight.....	20210
.50 cal. perc. (twist 1-66").....		T Rear Ramrod Thimble (Brass).....	21014
C Percussion Lock.....	20603	U "Hunter Star" Large (Brass).....	21037
D Trigger Assembly.....	20622R	V Front Wedge.....	22218-1
E Lock Plate Washer (2).....	20619	W Ramrod Retaining Spring.....	20621
F Lock Plate Screw (2).....	20220	X Bolster Screw -Percussion .....	20605
G Tang Screw.....	20209	Y Barrel Tenon (2).....	20533
H Nipple Percussion .....	20608	Z Butt Plate (Brass).....	20826
I Trigger Guard Screw (3).....	20624	AA Butt Plate Screw (2).....	20627
J Trigger Guard (Brass).....	20623	BB Toe Plate (Brass).....	30031
K Wedge Plate (Brass) (4).....	22216L	CC Toe Plate Screw (2).....	20624
L Wedge Plate Screw (8).....	20617	DD Ramrod Assembly (Synthetic).....	23228M
M Nose Cap (Brass).....	232015	FF Rear Wedge.....	22218-2
O Nose Cap Screw (2).....	20214		

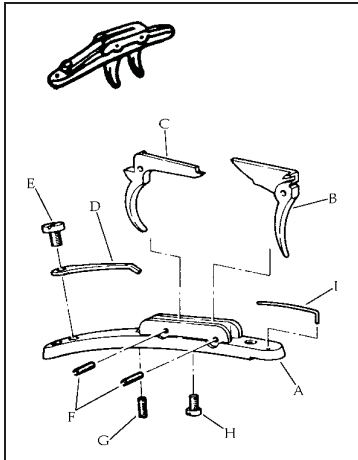
(\*) Exploded view at the reverse.

Percussion Lock Assembly  
- Ref. 20603



	Description	Reference
A	Lock Plate.....	70501
B	Hammer.....	70602
C	Tumbler.....	70603
D	Sear.....	70504
E	Mainspring.....	70505
F	Sear Spring.....	70506
G	Sear Screw.....	70514
H	Sear Spring & Bridle Screw (2).....	70515
I	Sear Adjusting Screw Spring.....	70520
J	Sear Adjusting Screw.....	70518
K	Hammer Screw.....	75512P
L	Fly.....	70611
M	Bridle.....	70508

Trigger Assembly  
- Ref. 20622R



	Description	Reference
A	Trigger Plate.....	60601R
B	Front Trigger.....	60602
C	Rear Trigger.....	60603
D	Rear Spring.....	60604R
E	Rear Spring Screw.....	60606
F	Trigger Pin (2).....	60609
G	Rear Trigger Adjustment Screw.....	60608
H	Front Trigger Adjustment Screw.....	60607
I	Front Spring.....	60605